

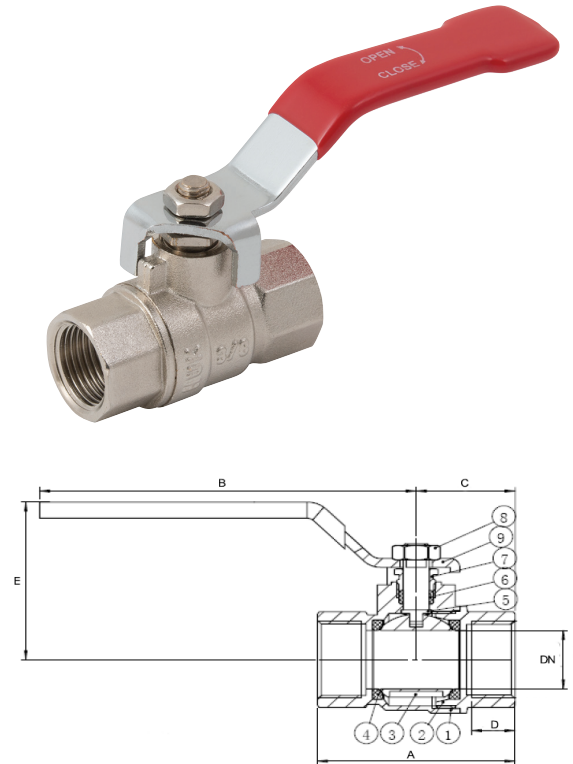
# BV12 Brass Full Bore Ball Valve *HUK valves*

## PN40 Rated

### Features Part

- Full Bore
- 40 Bar Rated
- Maximum Working Temperature -10°C to +90°C
- Flat Steel Lever
- Long Threads
- Wing Handle an option upto 1"

Part	Name	Material
1	Body	Nickel Plated Brass
2	End Cap	Nickel Plated Brass
3	Ball	Chrome Plated Ball
4	Ball Seal	PTFE
5	Stem	Brass
6	Stem Packing	PTFE
7	Gland Nut	Brass
8	Lever	Plated Steel
9	Nut	Plated Steel



Part No.	SIZE	DN	A	B	C	D	E	Kgs
BV12-14	1/4"	8	49	78.5	25.5	11.5	41.5	0.15
BV12-38	3/8"	10	49	78.5	25.5	11.5	41.5	0.134
BV12-12	1/2"	15	60	89	30	15	47	0.202
BV12-34	3/4"	20	70	89	35	18	50	0.29
BV12-1	1"	25	81	116	40.5	20	60.5	0.491
BV12-114	1 1/4"	32	98	130	49	23	69	0.746
BV12-112	1 1/2"	40	110	150	55	24.5	80	1.142
BV12-2	2"	50	124	150	62	25.5	87.5	1.659
BV12-212	2 1/2"	65	135.5	226.5	68	24	111.2	3.1
BV12-3	3"	75	153	226.5	76.5	25	120	4.42
BV12-4	4"	90	187	251.5	93.5	32	152.5	7.876